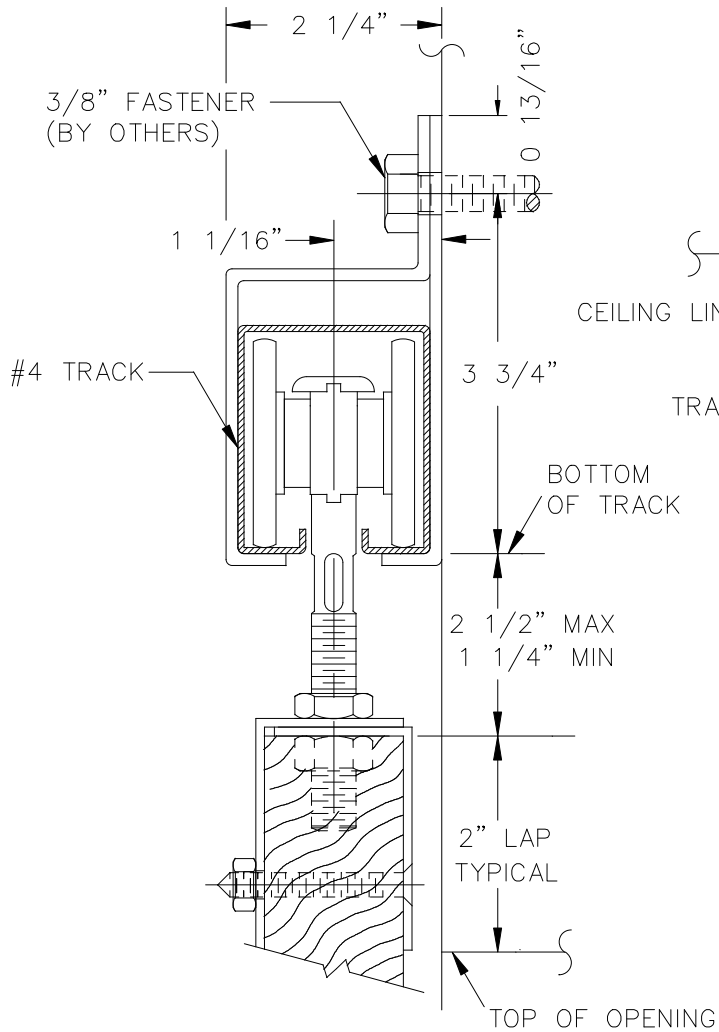
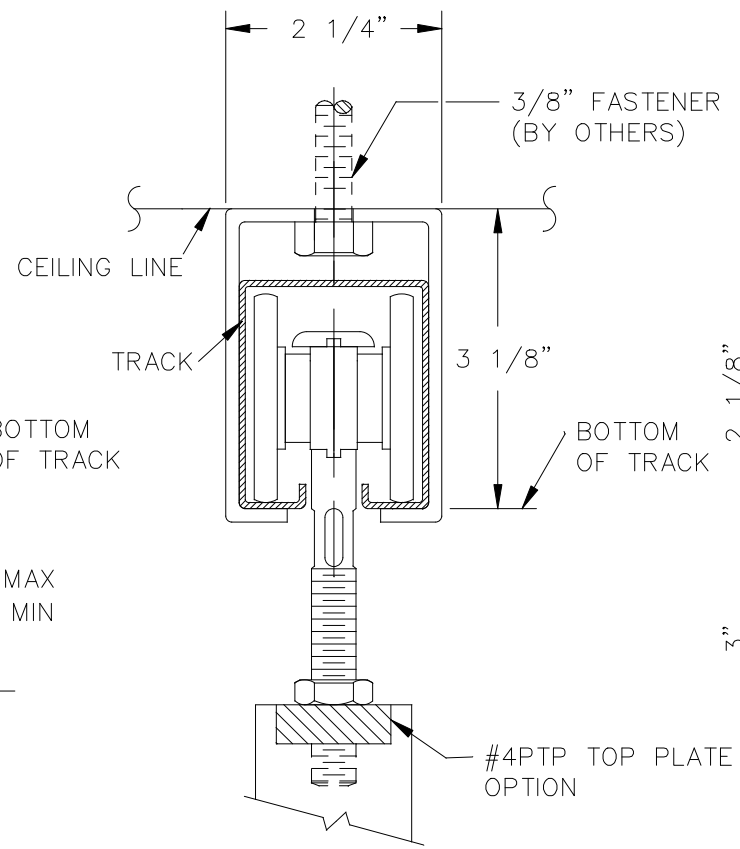


HEAD SECTION
USING SIDEWALL BRACKET

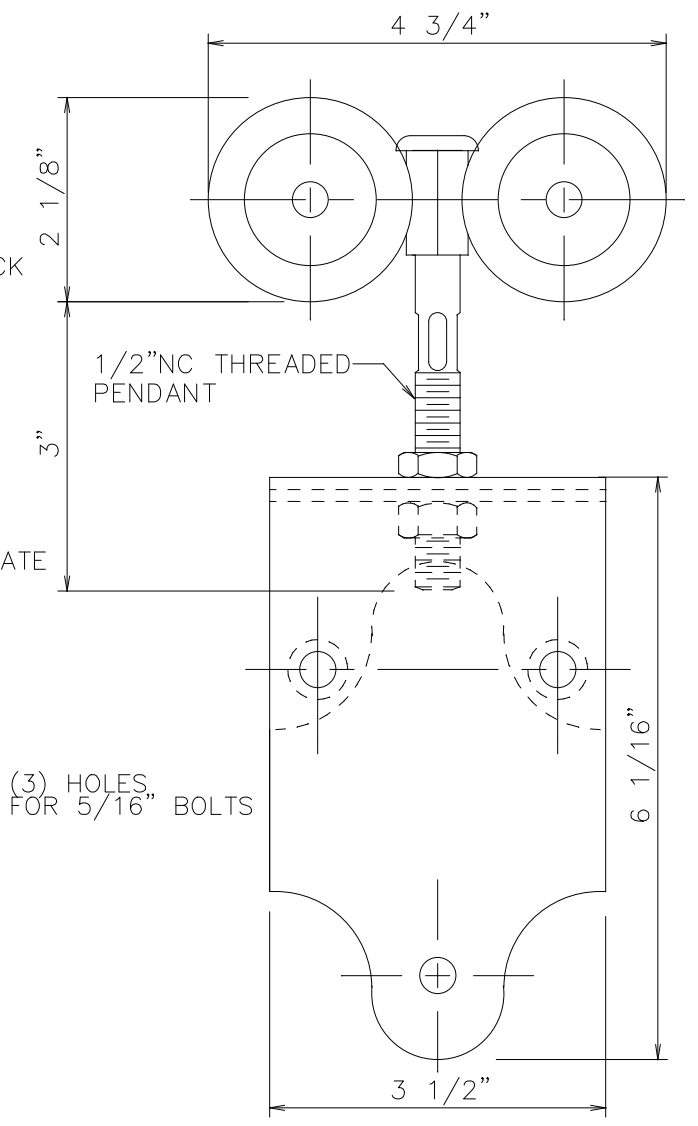


HEAD SECTION
USING OVERHEAD BRACKET



ALTERNATE HEAD SECTION
USING #4-1R TRUCKS

TRUCK ASSEMBLY
IS WITHOUT APRON BELOW



APRON ASSEMBLY

NOTE: SOME INSTALLATIONS MAY REQUIRE
BRACKET SHIMS TO PROPERLY ALIGN
THE TRACK.

#4 TRACK, #4Z2R HANGER, SIDE WALL & OVERHEAD BRACKETS
CAPACITY 400 LBS. PER DOOR
STEEL WHEELS AND ROLLER BEARINGS
HALF SCALE
5/25/99, 8/3/04