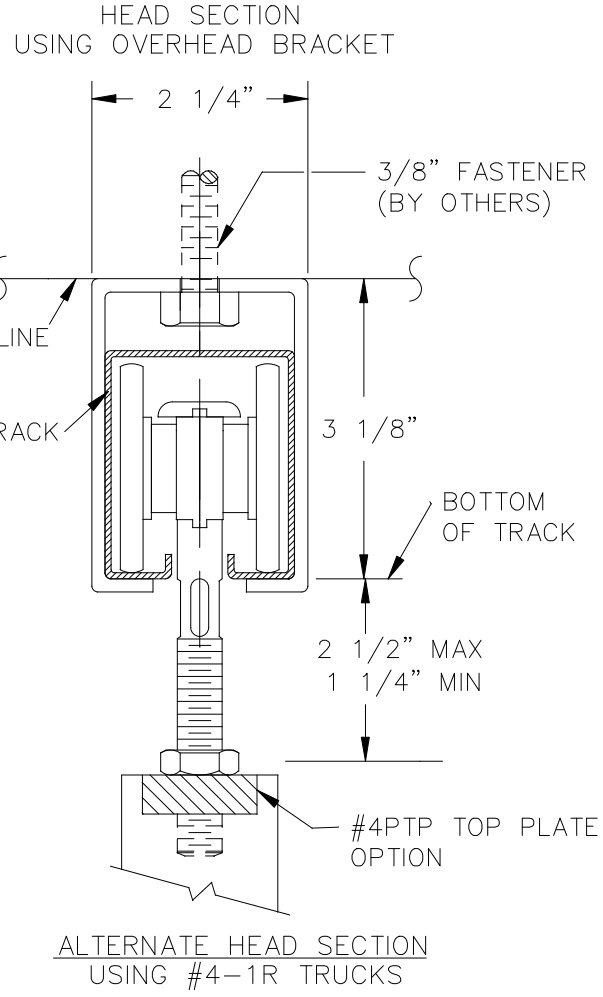
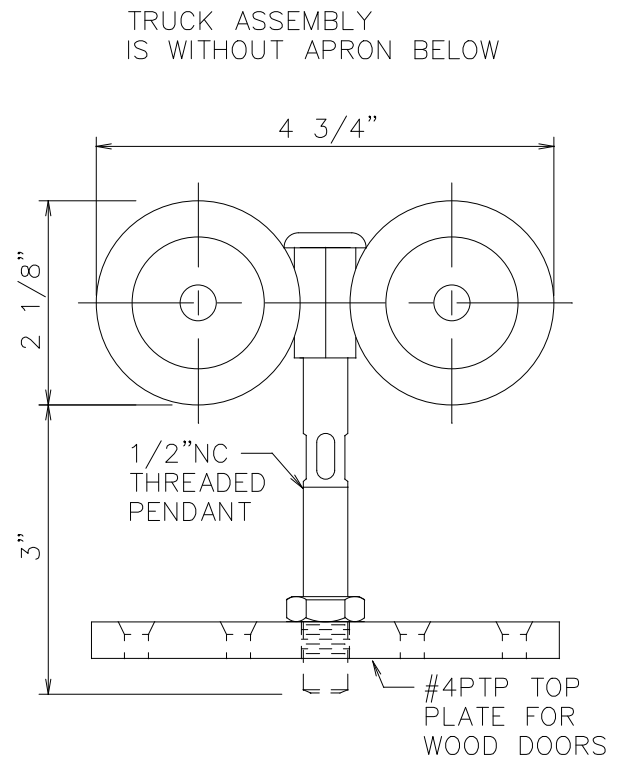


1/2"NC THREADED PENDANT
 DRILL & TAP TOP OF STEEL DOOR
 USE #4PTP TOP PLATE FOR WOOD DOOR.

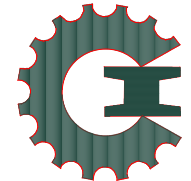


ALTERNATE HEAD SECTION USING #4-1R TRUCKS



NOTE: SOME INSTALLATIONS MAY REQUIRE BRACKET SHIMS TO PROPERLY ALIGN THE TRACK.

#4-1R TRUCK (ROLLER BEARING) (400 LBS. PER DOOR)
 #4 TRACK & SIDE WALL BRACKETS
 #4 TRACK & OVERHEAD MOUNT BRACETS
 HALF SCALE
 11/25/99, 8/8/02, 11/4/03



CROWN
 INDUSTRIAL
 SUPPLY
 SO. SAN FRANCISCO, CA
 (650)952-5150